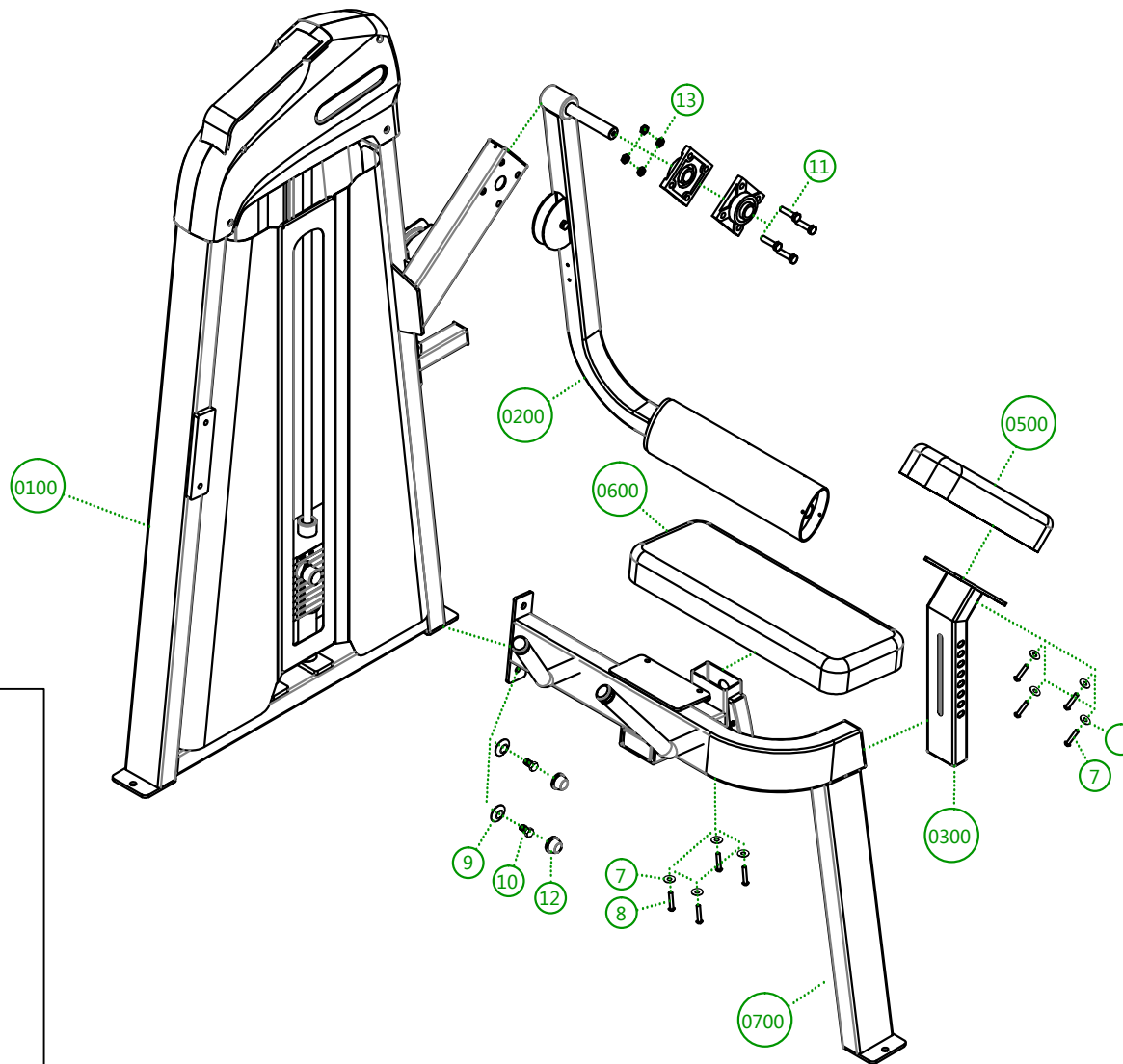


LD-9024 Glute isolator



LD9024 Gluteisolator

Installation steps:

1. Install 0100 door combination and 0700 support group
2. Install 0100 door combination and 0200 movement arm part
3. Install 0300 back cushion fixing group and 0700 support group
4. Install 0600 elbow pads and 0700 support group
5. Install 0500 seat cushion and 0300 back cushion fixing group

No	Draw No	QTY
13	M12 hexagon nut	4
12	30 Screw cap	2
11	M12*75 hexagon bolt	4
10	M12*20 hexagon bolt	2
9	12 Washer	2
8	M8*30 semicircle head screw hexagon	8
7	8 Washer	8
6	0700 Support group	1
5	0600 Elbow pad	1
4	0500 Seat cushion	1
3	0300 Back cushion fixing group	1
2	0200 Movement arm part group	1
1	0100 Door combination	1

LD9024 Glute Isolator

No	Name	QTY	Installation steps:
13	M12 hexagon nut	4	1. Install 0100 door combination and 0700 support group
12	∅30 Screw cap	2	2. Install 0100 door combination and 0200 movement arm part
11	M12*75 hexagon bolt	4	3. Install 0300 back cushion fixing group and 0700 support group
10	M12*20 hexagon bolt	2	4. Install 0600 elbow pads and 0700 support group
9	∅12 Washer	2	5. Install 0500 seat cushion and 0300 back cushion fixing group
8	M8*30 semicircle head screw hexagon	8	
7	∅8 Washer	8	
6	0700 Support group	1	
5	0600 Elbow pad	1	
4	0500 Seat cushion	1	
3	0300 Back cushion fixing group	1	
2	0200 Movement arm part group	1	
1	0100 Door combination	1	